

SYSTEM DESCRIPTION

Uptec is a patented system composed of only 3 basic elements, designed to create raised outdoor floors. These are height-adjustable polypropylene supports, with tilting head to compensate slope difference up to 5%. By simply blocking the locking ring on the head, you can switch from the self-leveling system to the fixed one. The accessory applied above is made of rubber to ensure an anti-noise and anti-slip system.

UPTEC - SUPAR

PRODUCT DESCRIPTION



432/5000

Uptec SUPAR is a stackable ring used in combination with the standard support, SUPAS 58mm (2-9/32").

It allows an increase in the overall height of 30 mm (1-3/16") for each mounted ring.

SUPAR has been designed to be easily assembled, thanks to the symbols placed both on the ring and on the base of the support.

It can be used individually or with the assembly of several elements until the desired height is reached.

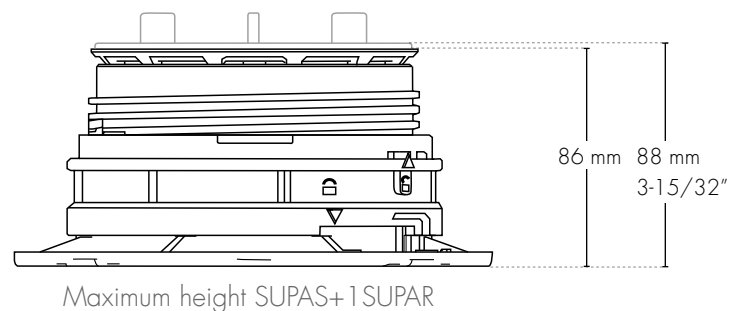
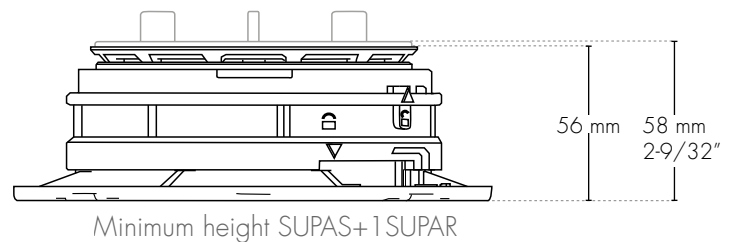
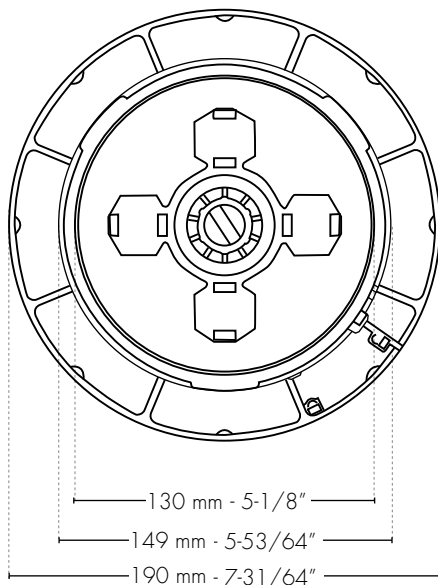
SUPAR assembly on base: symbology placed on the bottom of the SUPAR and on the base.



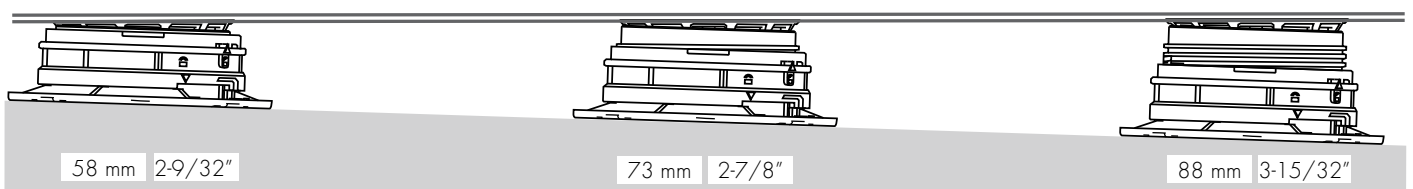
SUPAR assembly on SUPAR: symbology placed underneath the added SUPAR and on the top of the underlying SUPAR elements.



TECHNICAL DRAWINGS - configuration example SUPAS + 1 SUPAR

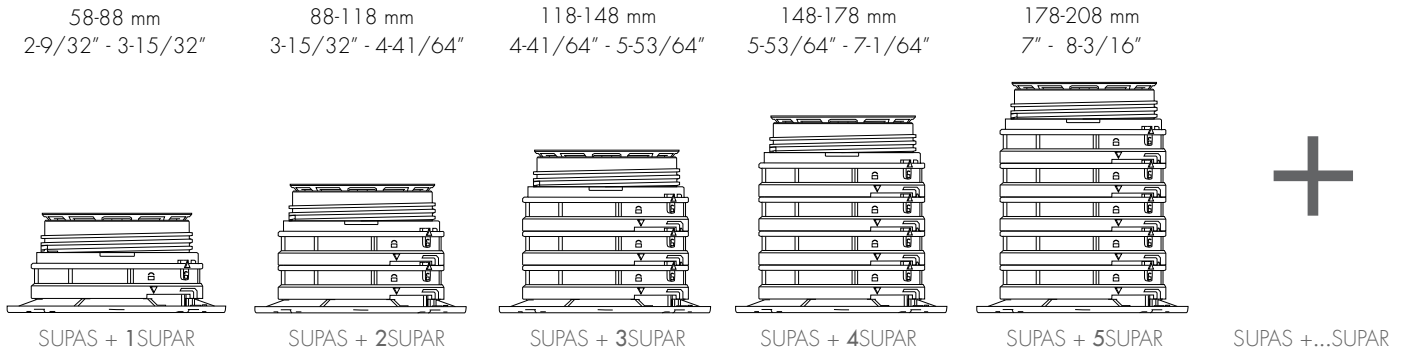


INSTALLATION EXAMPLE - Configuration SUPAS + 1 SUPAR



INSTALLATION - SUPAS + SUPAR

CONFIGURATION SUPAS + ...SUPAR



SUPAS + SUPAR (kit) CODE

Models	Height (mm)	Height (in)	Description	Pz/cf	Packaging mm	pz/pallet
SUPAS2-58/88	58÷88	2-9/32" - 3-15/32"	KIT: pedestal + tabs for 2mm - 5/64" joint	24 pz	400x400xh430	432
SUPAS2-88/118	88÷118	3-15/32" - 4-41/64"	KIT: pedestal + tabs for 2mm - 5/64" joint	24 pz	400x400xh595	288
SUPAS2-118/148	118÷148	4-41/64" - 5-53/64"	KIT: pedestal + tabs for 2mm - 5/64" joint	24 pz	400x400xh760	288
SUPAS4-58/88	58÷88	2-9/32" - 3-15/32"	KIT: pedestal + tabs for 4mm - 5/32" joint	24 pz	400x400xh430	432
SUPAS4-88/118	88÷118	3-15/32" - 4-41/64"	KIT: pedestal + tabs for 4mm - 5/32" joint	24 pz	400x400xh595	288
SUPAS4-118/148	118÷148	4-41/64" - 5-53/64"	KIT: pedestal + tabs for 4mm - 5/32" joint	24 pz	400x400xh760	288

PHYSICAL - CHEMICAL CHARACTERISTICS

Composition: 80% recycled content, 100% recyclable
Tested at temperatures: -20° and 80° (-4°F- 176°F)
Fire resistance: HB in compliance with the UL94 regulation

TECHNICAL DETAILS - LOAD BEARING CAPACITY

Models	Height (mm)	Height (in)	Head	Plan	Temperature (°C)	Speed (mm/min)	Load bearing capacity kN
SUPAS-58/88	88	3-15/32"	FIXED	HORIZONTAL	21	100	14.48 ± 0.89
SUPAS-58/88	88	3-15/32"	FIXED	HORIZONTAL	-20	100	21.86 ± 0.97
SUPAS-58/88	88	3-15/32"	FIXED	HORIZONTAL	80	100	5.31 ± 0.48
SUPAS-508/538	538	21"	SELF-LEVELING	SLOPED	21	100	13.67 ± 0.90

Tests performed by the University of Trento.

ACCESSORIES

INTERCHANGEABLE TABS

SUPA2



- ceramic installation
 - tabs for 2mm - 5/64" joint

SUPA4



- ceramic installation
 - aluminum joist
 - tabs for 4mm - 5/32" joint

SUPAW



- Installation on wood joist

ADJUSTMENT KEY SUPAK

The 3in1 adjustment key has been designed to facilitate height adjustment and fixing of the supports, as well as to facilitate the removal of the tabs.



Profilitec S.p.A.
 Via Scotte, 3 - 36033 Isola Vicentina (Vicenza), ITALY
 Tel: +39 0444 268311
 e-mail: profilitec@profilitec.com (ITA)

Profilitec Corp.
 472 Meeting Street, Suite C, No. 301 -
 Charleston, SC 29403, USA
 Ph: +1 855 290 9591
 e-mail: customerservice@profilitec.com

profilitec
 positive profile